

FIG. 1

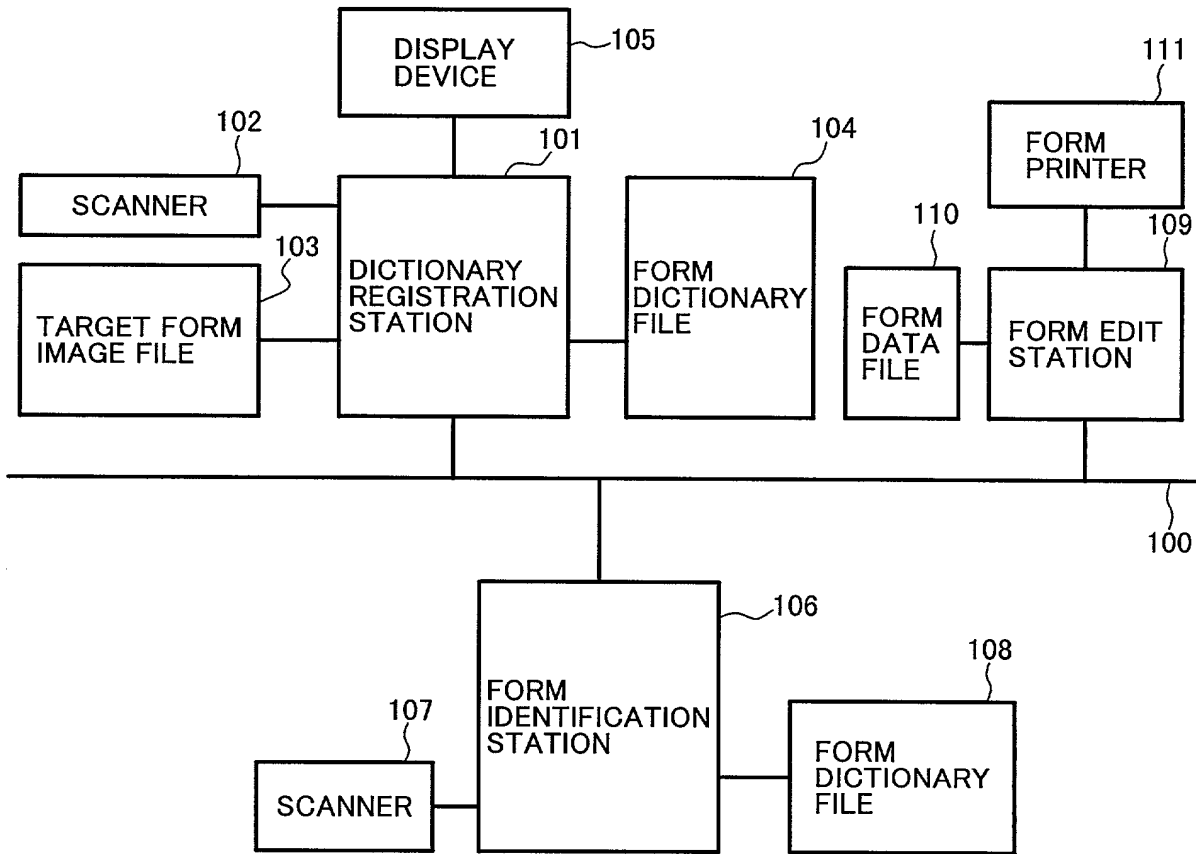
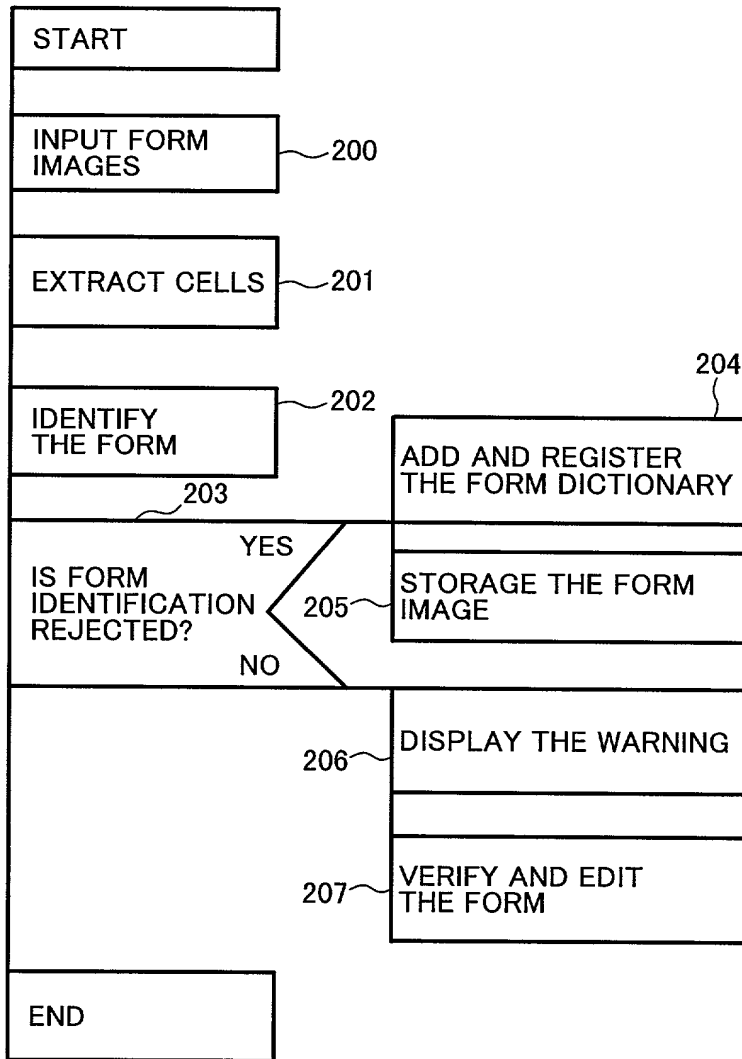
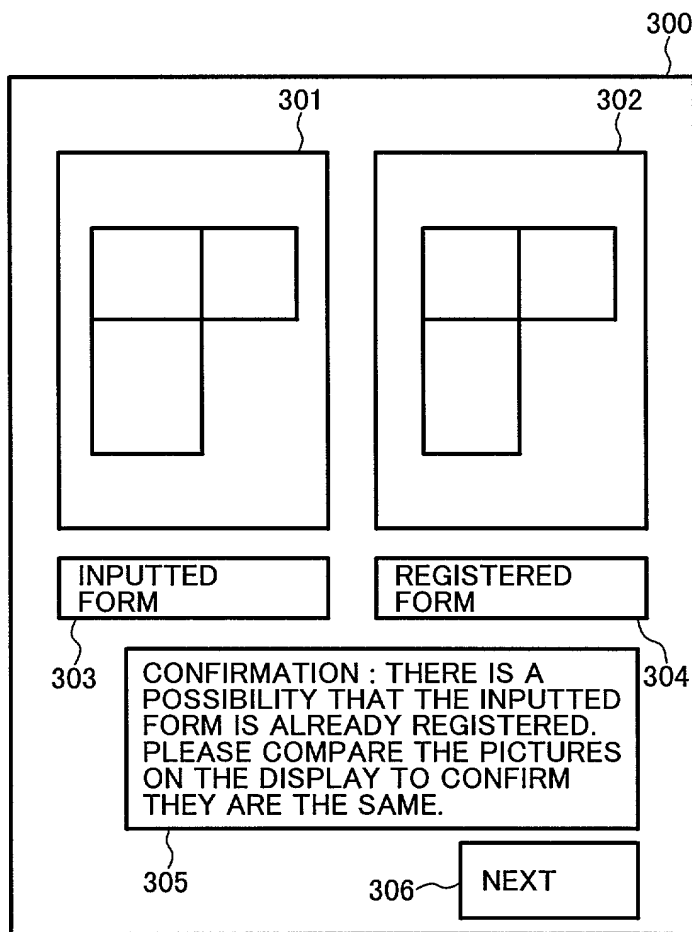


FIG.2



2025 RELEASE UNDER E.O. 14176

FIG.3



20070101 10:00:00

FIG.4

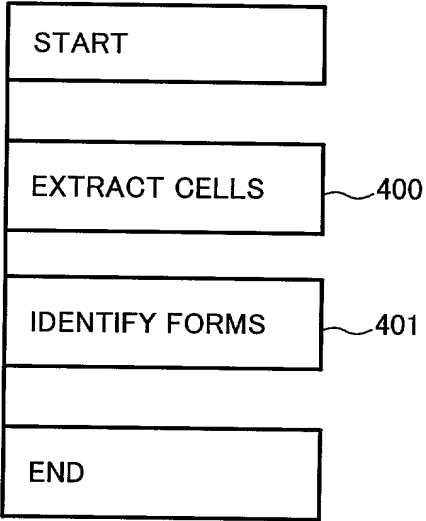
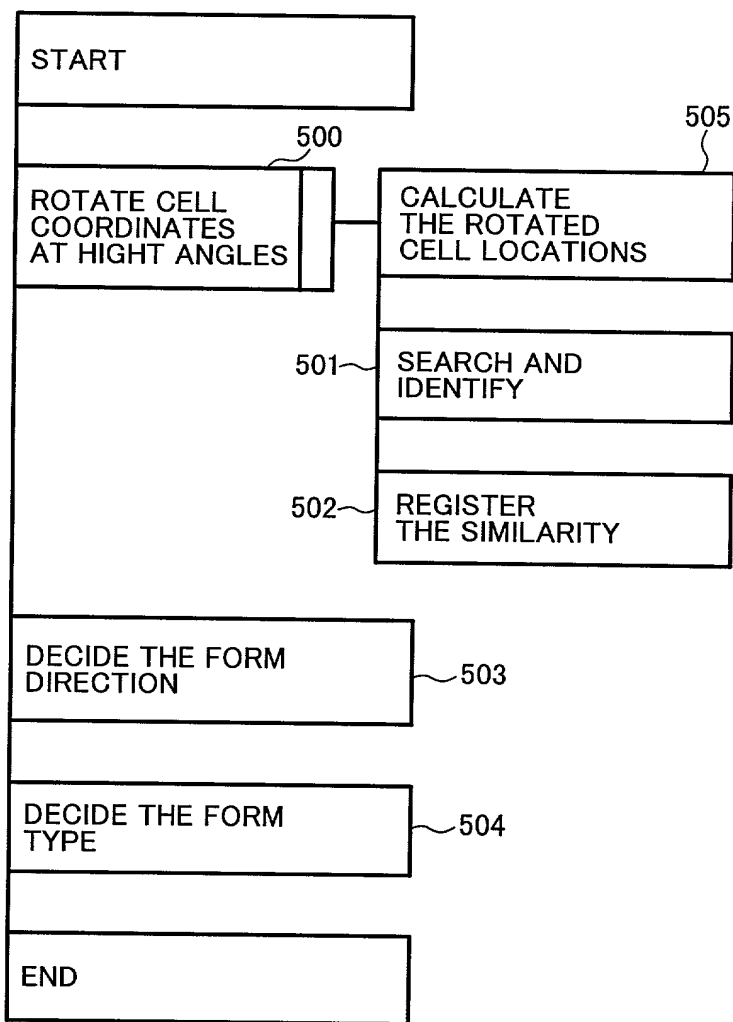
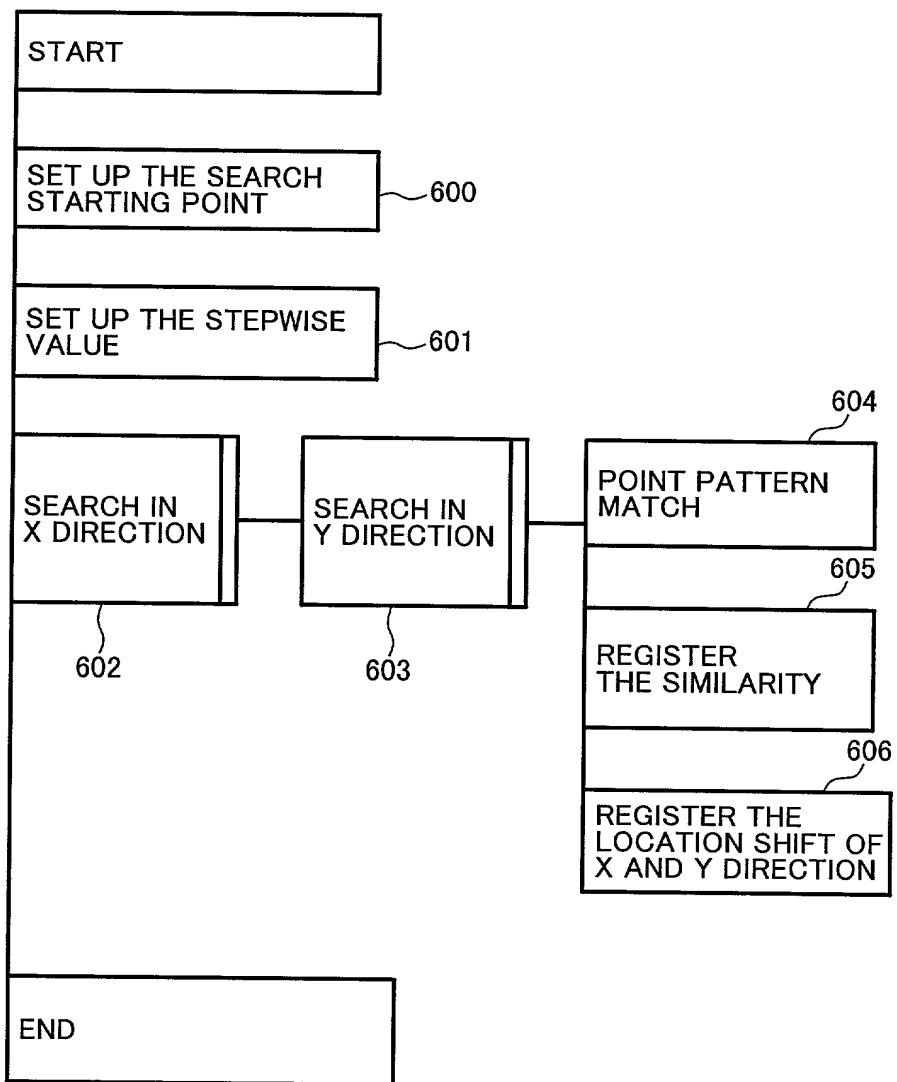


FIG.5



scanned with a scanner

FIG.6



SCOTT ESPOSITO

FIG.7

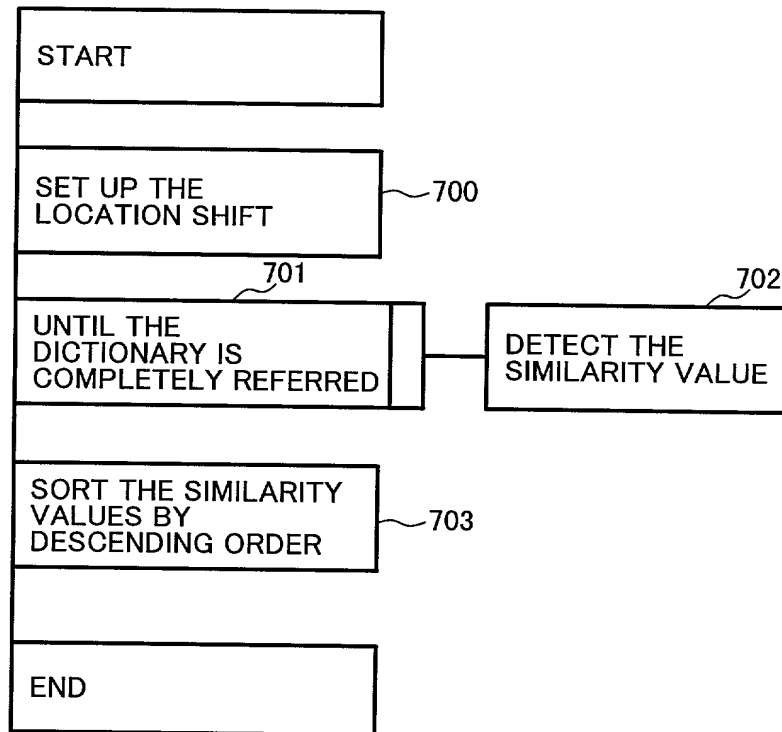


FIG. 7

FIG.8

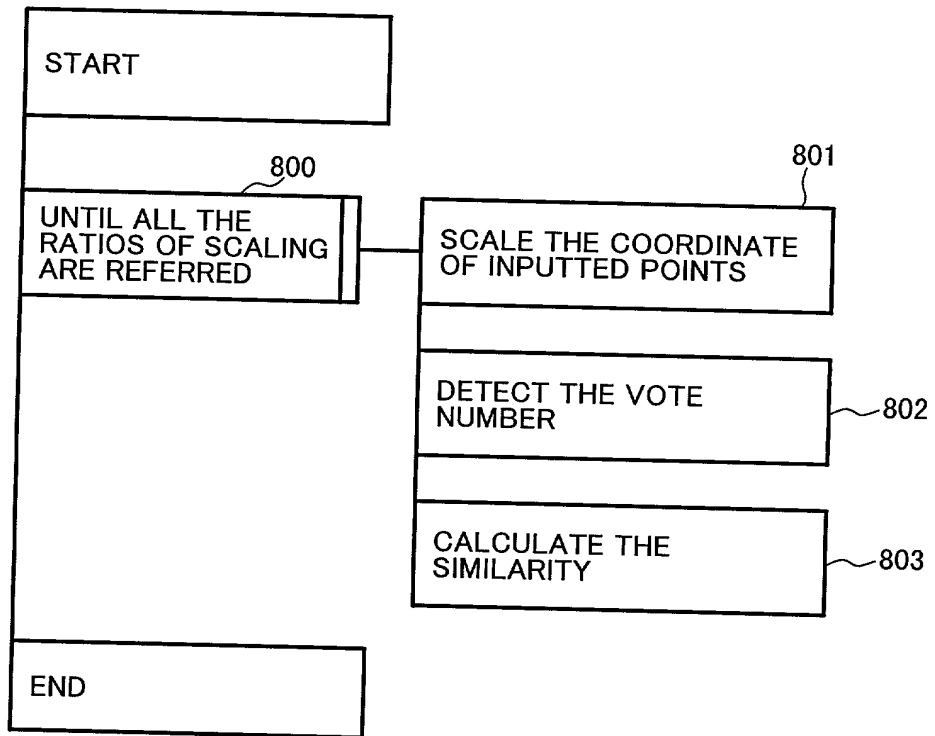
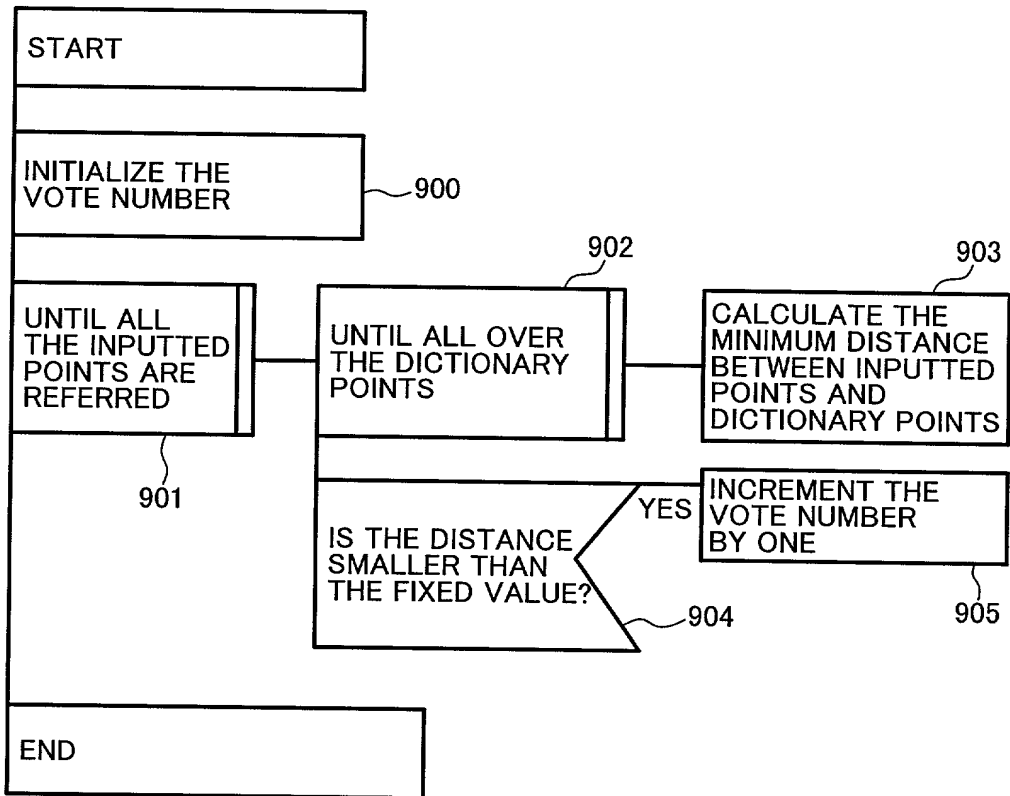




FIG.9



2025 RELEASE UNDER E.O. 14176

# FIG.10

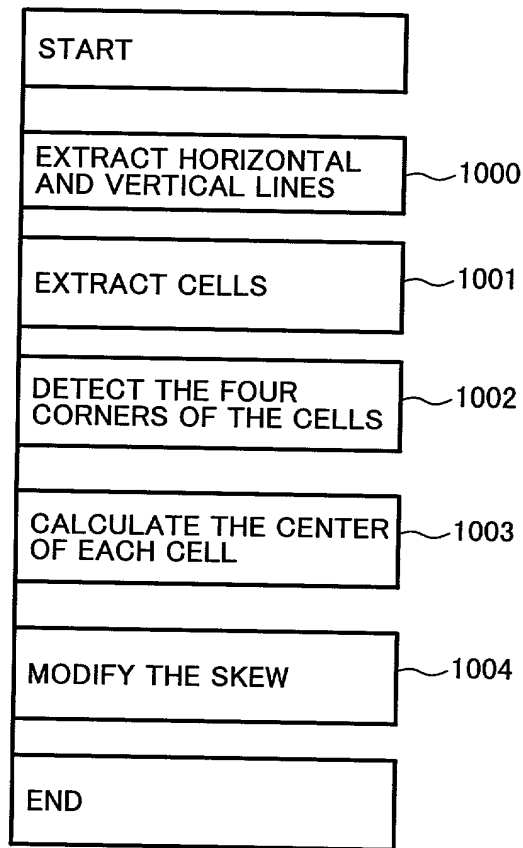
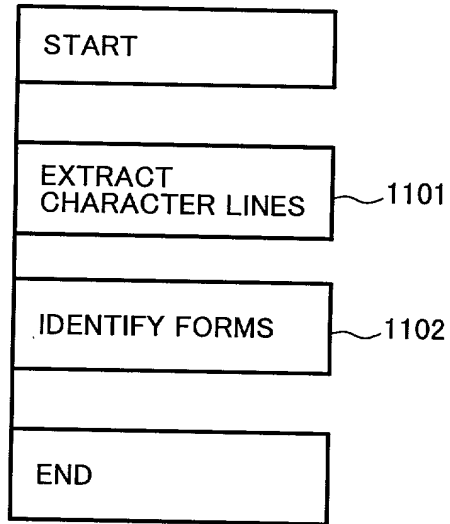
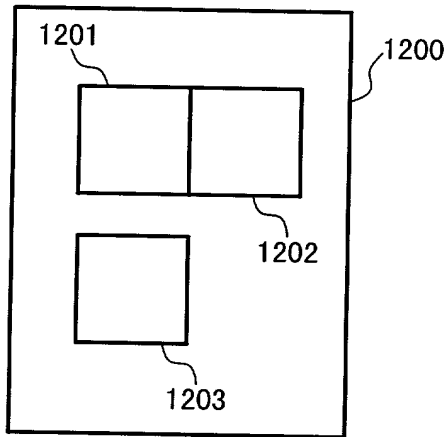


FIG.11



2025 RELEASE UNDER E.O. 14176

# FIG.12A



# FIG.12B

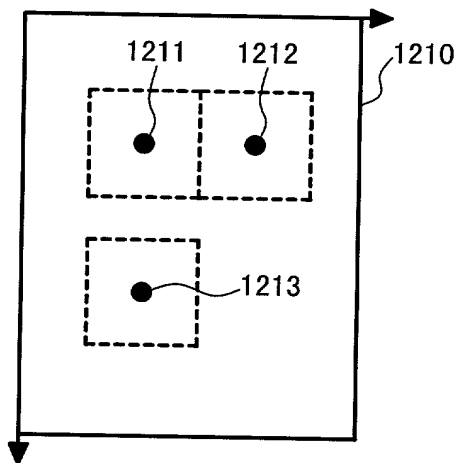


FIG.13A

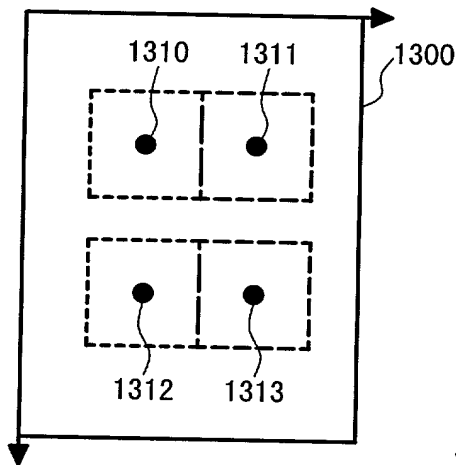


FIG.13B

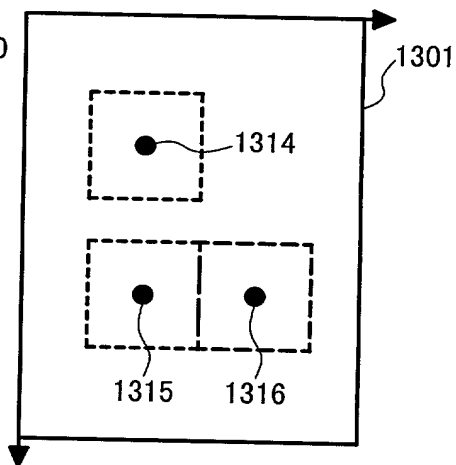


FIG.13C

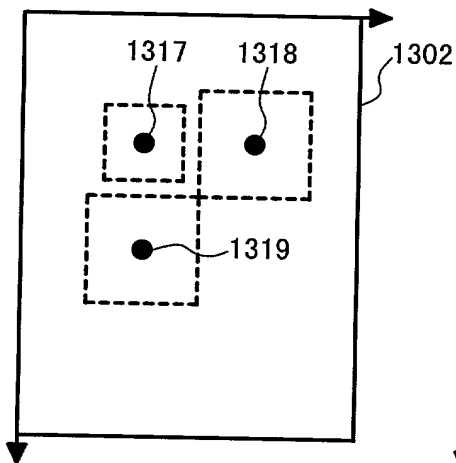


FIG.13D

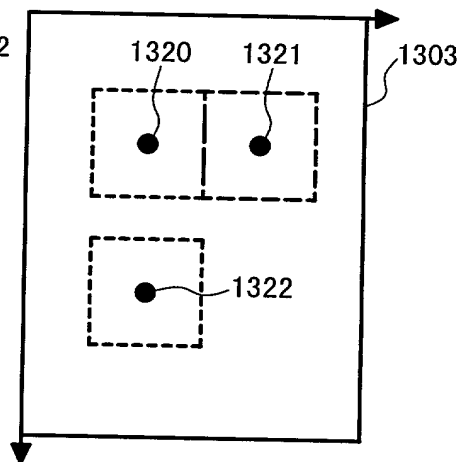


FIG.14

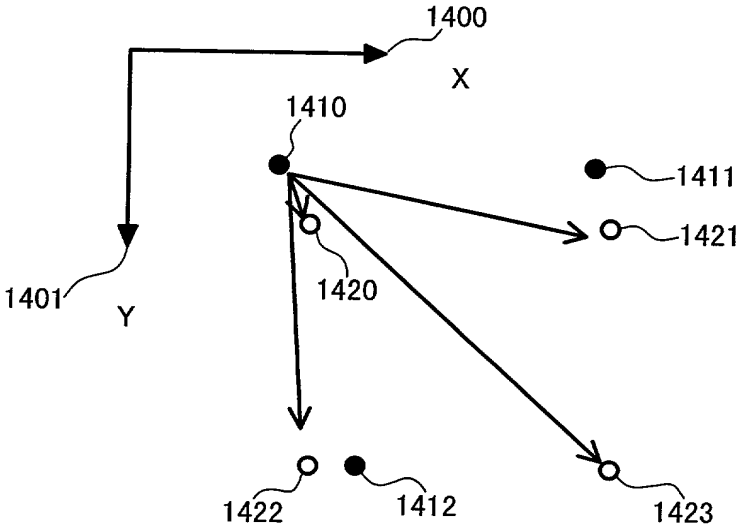


FIG.15

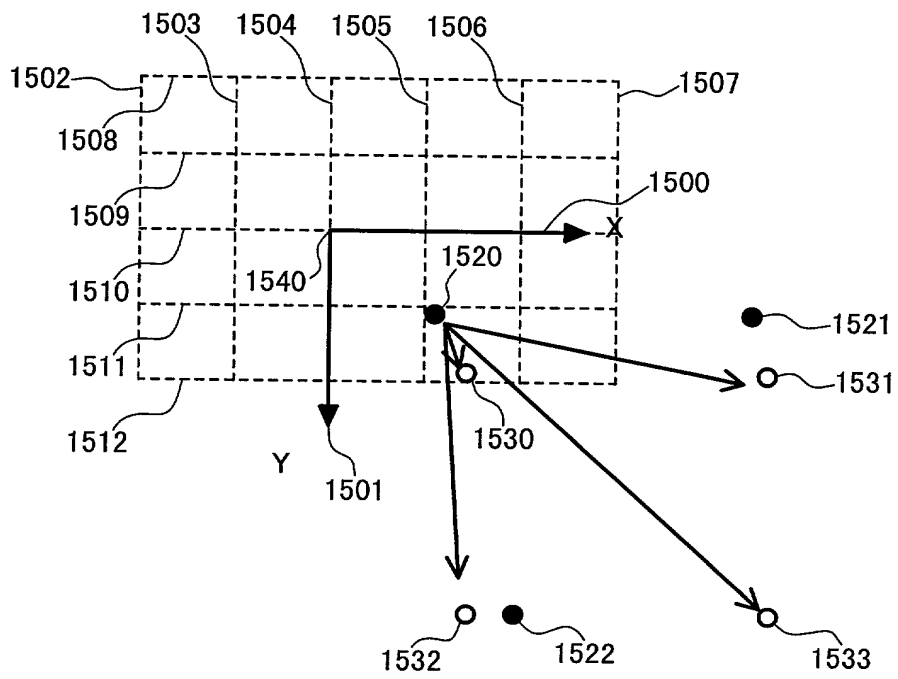
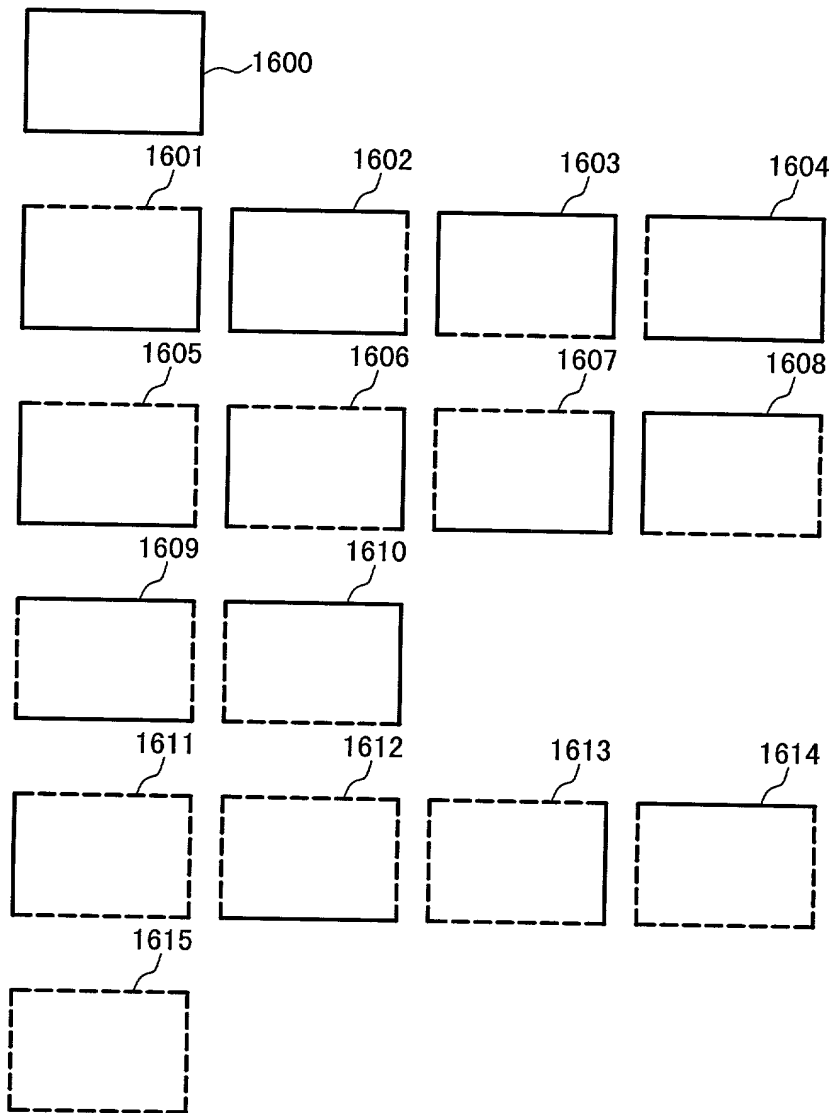


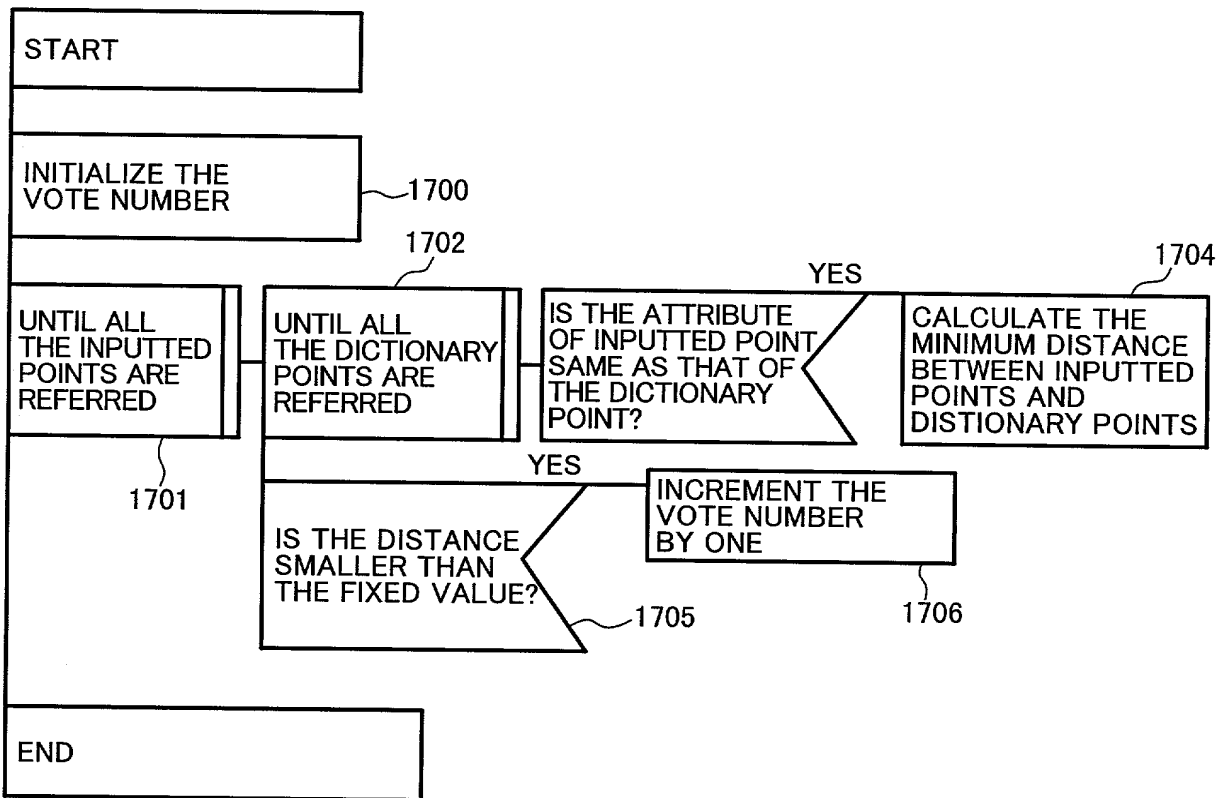
FIG.16



FOR PUBLICATION



FIG.17



2025 RELEASE UNDER E.O. 14176

FIG.18

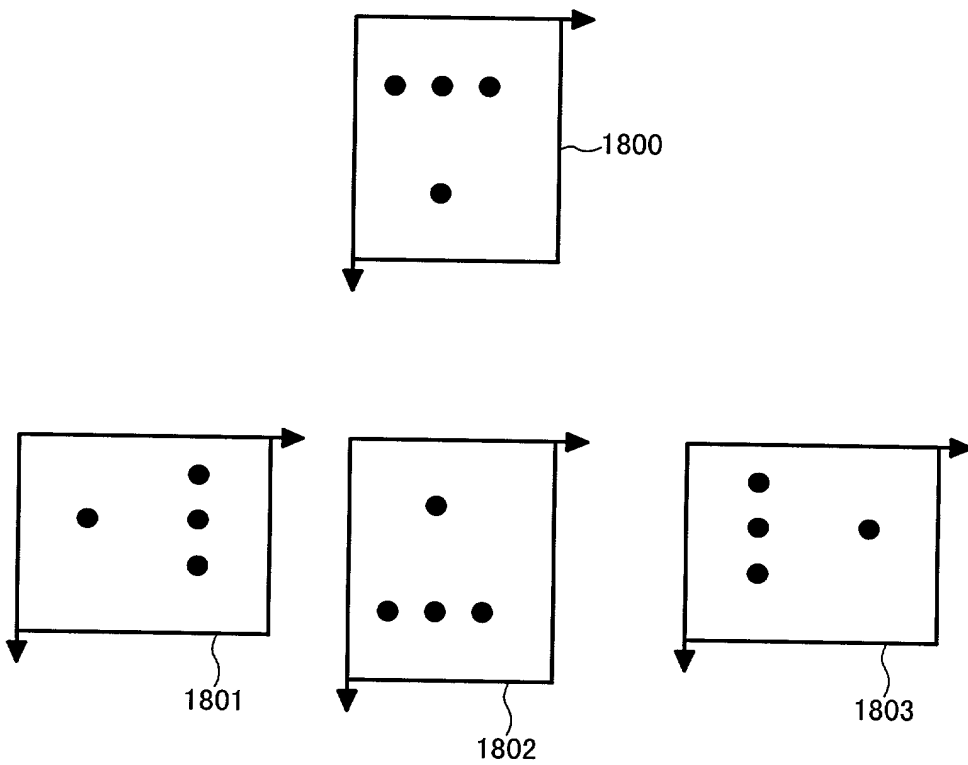


FIG.19

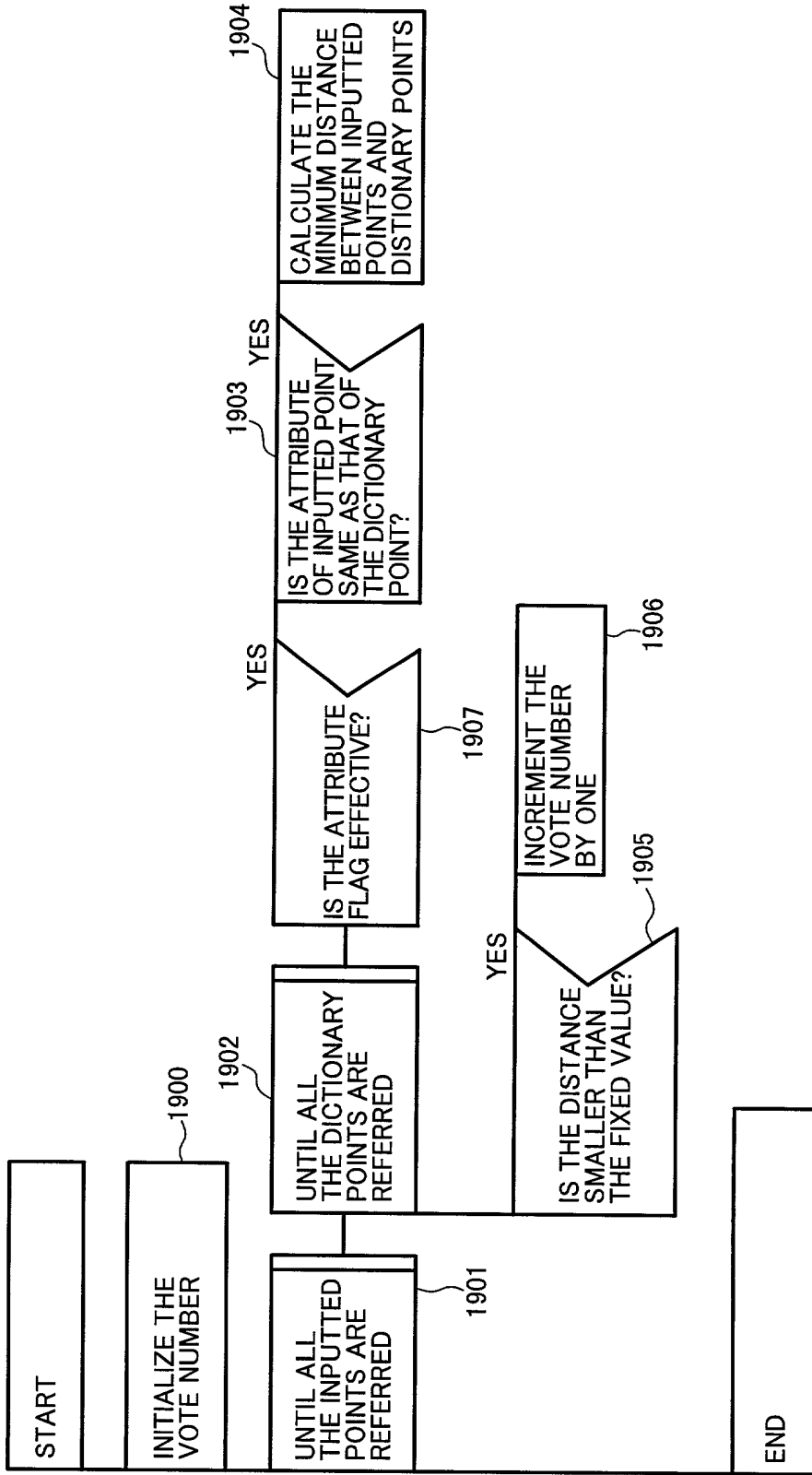
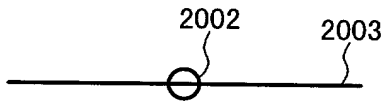
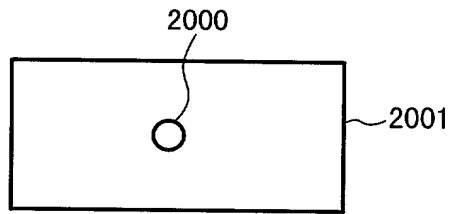


FIG.20



2017-03-28 10:00:00

FIG. 21

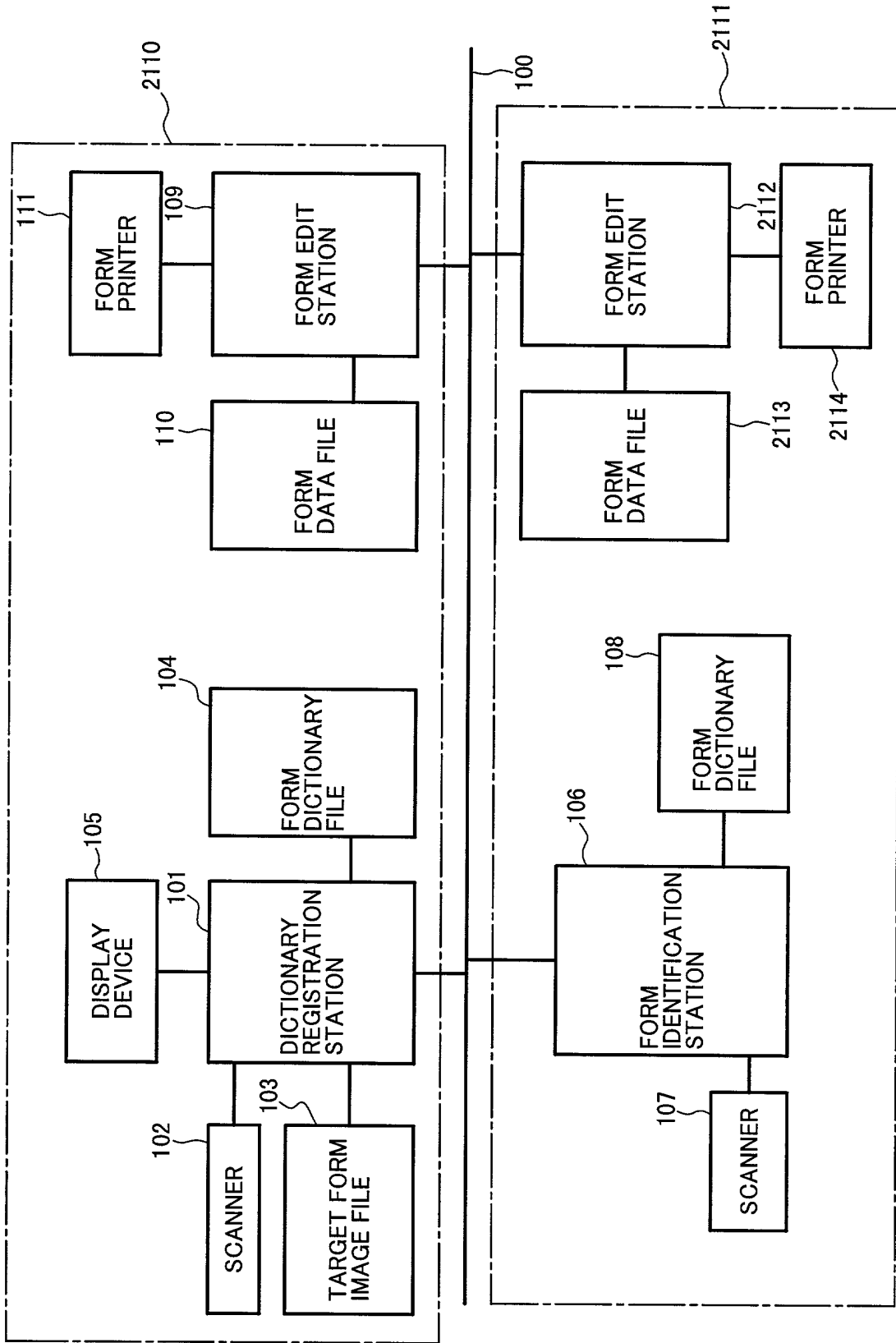


FIG.22

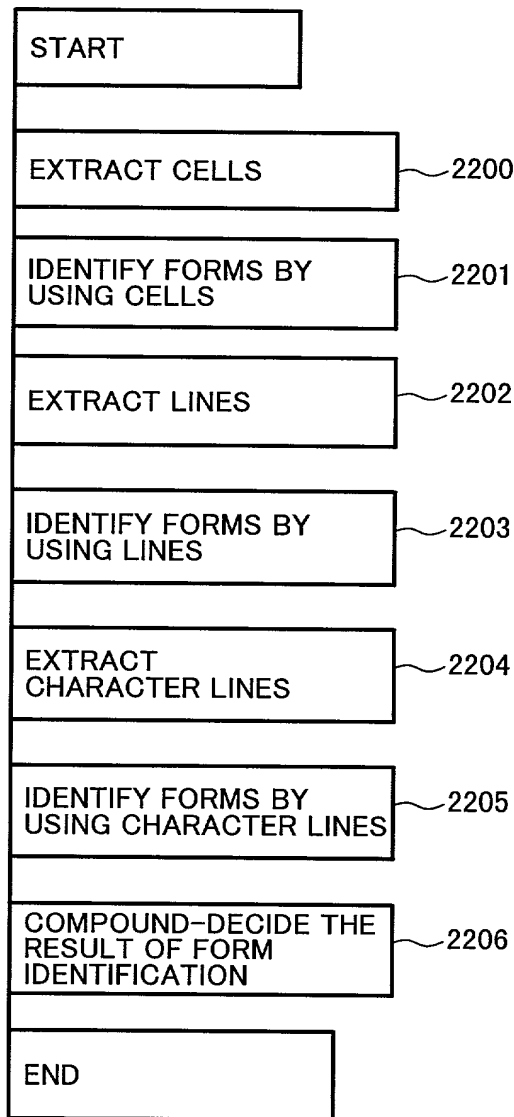
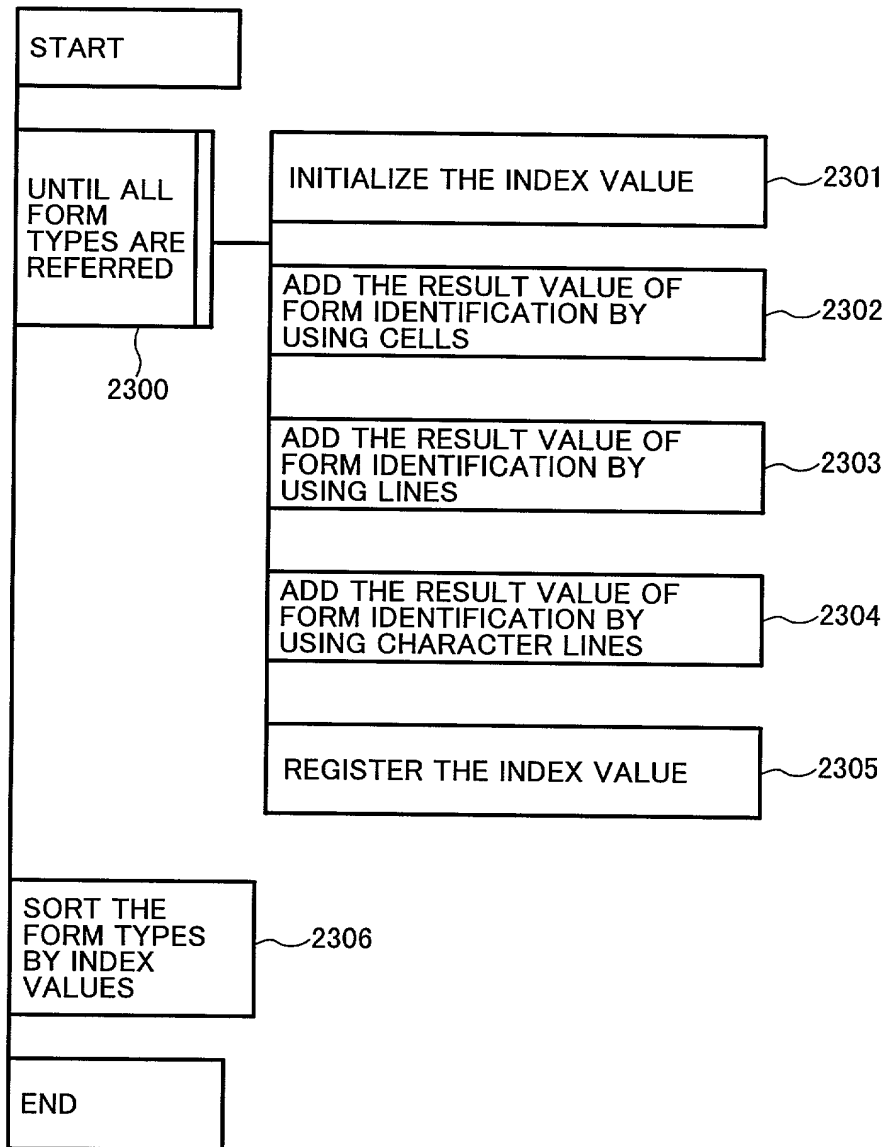
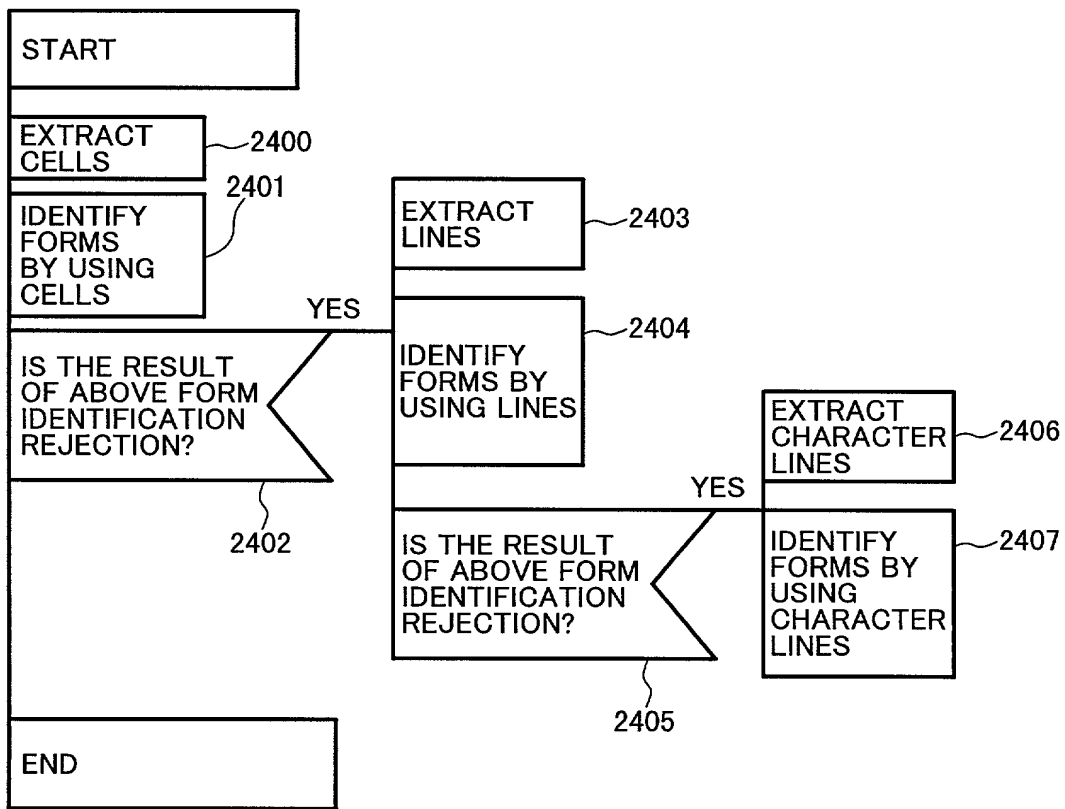


FIG.23



Doc ID: 494444

FIG.24



2025 RELEASE UNDER E.O. 14176



# FIG.25

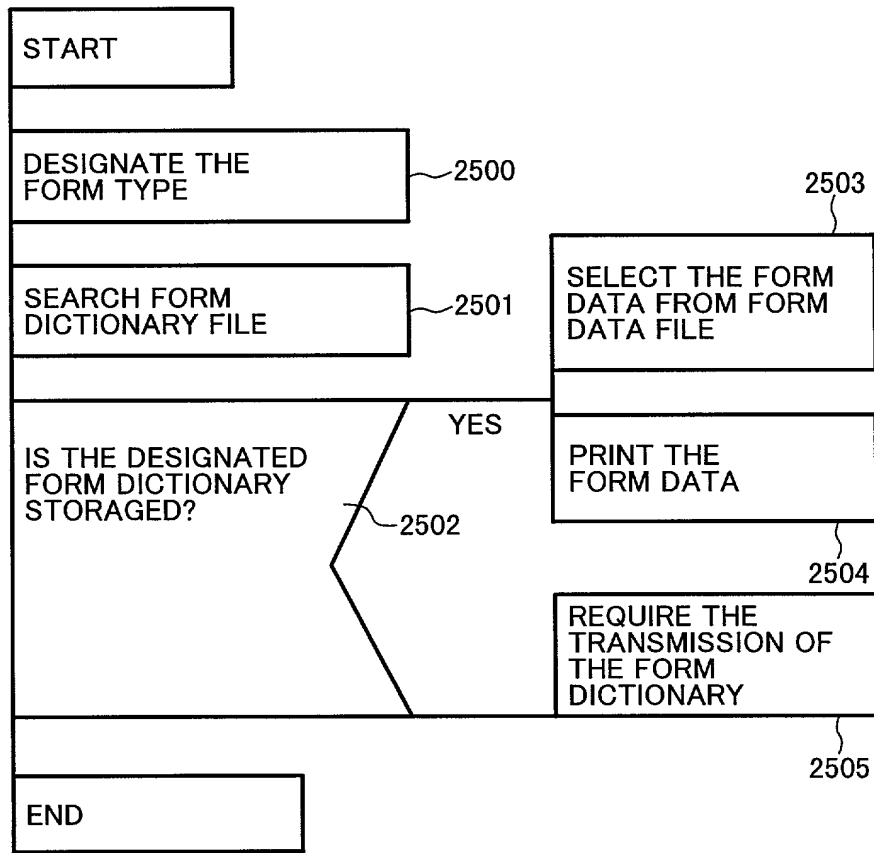
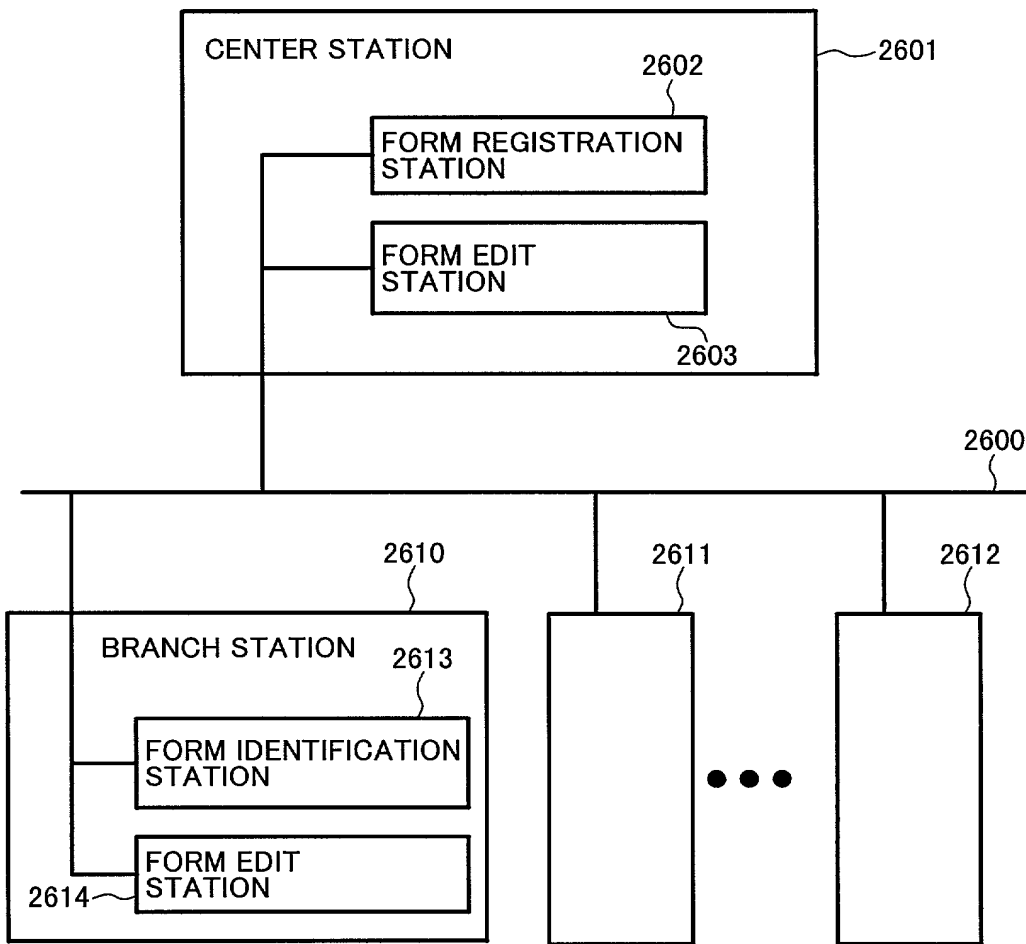


FIG.26



20070101 "E09H00T"